



# Surf Casting and Angling Club of WA (Inc.)

PO Box 2834, Malaga WA 6944

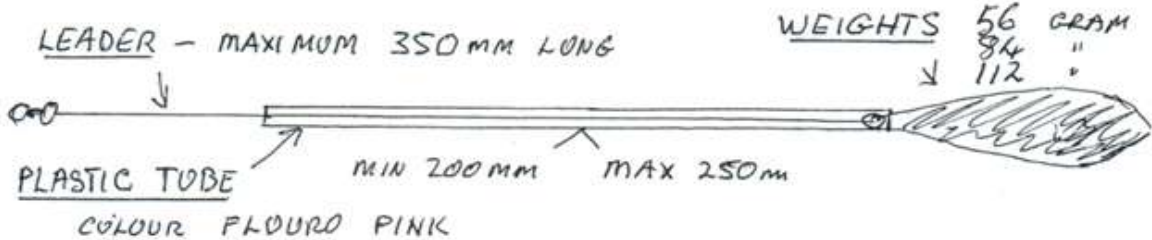
ABN 29 925 237 020

Telephone 0459 183 375 Email [surfcast@iinet.net.au](mailto:surfcast@iinet.net.au)

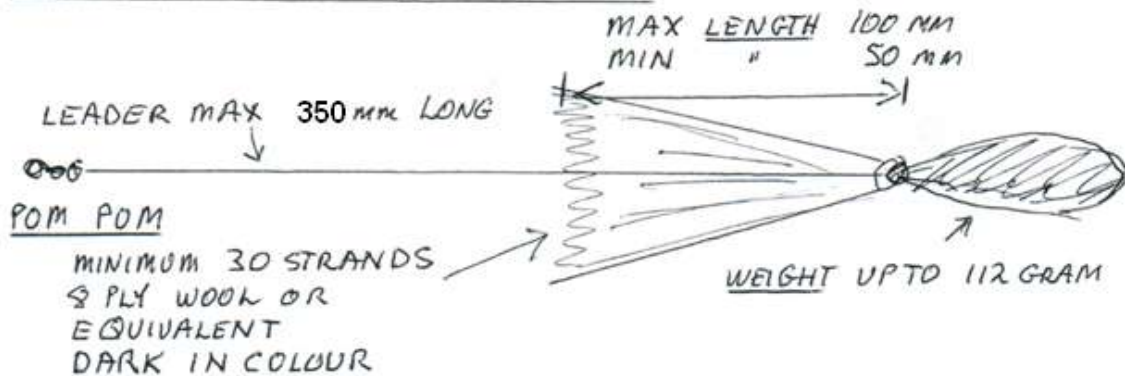
Club Web page <http://www.surfcasters.iinet.net.au>

## Dry casting rigs as specified in Club's Competition Rules.

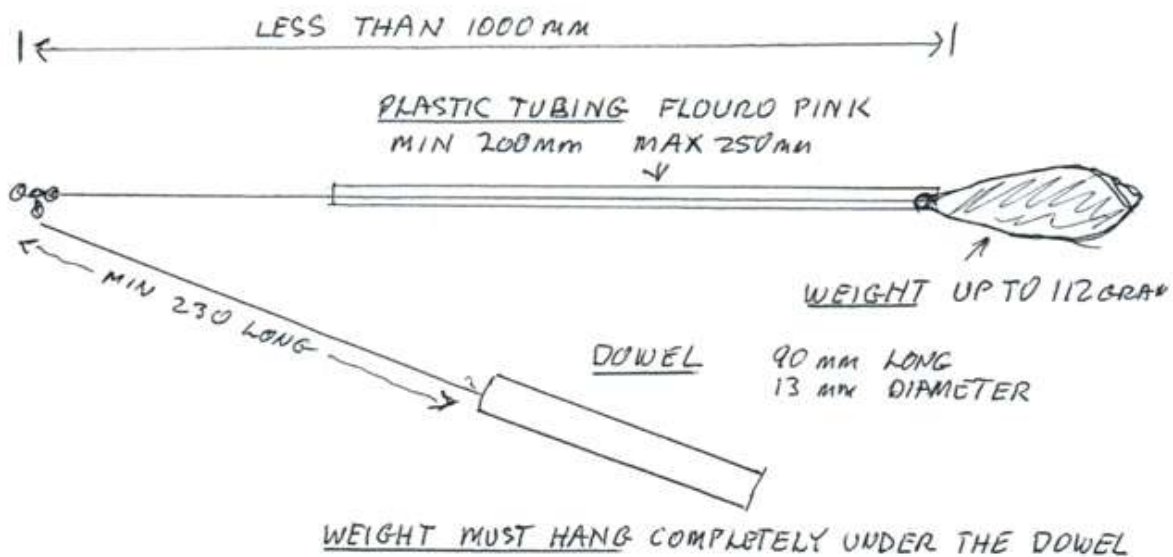
### 56 84 112 GRAM DISTANCE RIGS



### DOUBLE HANDED ACCURACY RIG



### ARTIFICIAL BAIT RIG



BREAKING STRAIN OF ALL LEADER min 25kg max 50kg

# Single HANDED ACCURACY RIG.

